

Personalizing helmet size

The NeroHero helmet has 9 interchangeable internal padding units that enable fit to be adjusted to perfection.



The internal padding pieces are fixed to the polystyrene inner shell using Velcro fasteners, and they are marked with a number and letter.

The numbering of the internal padding pieces enables them to be correctly positioned inside the inner shell, while the letter (S, M or L) identifies their size.

It is important to follow the correct numbering of the internal padding pieces so that each unit is in the correct position. However pieces of different size can be used in the same helmet in order to improve fit and provide the best comfort possible.

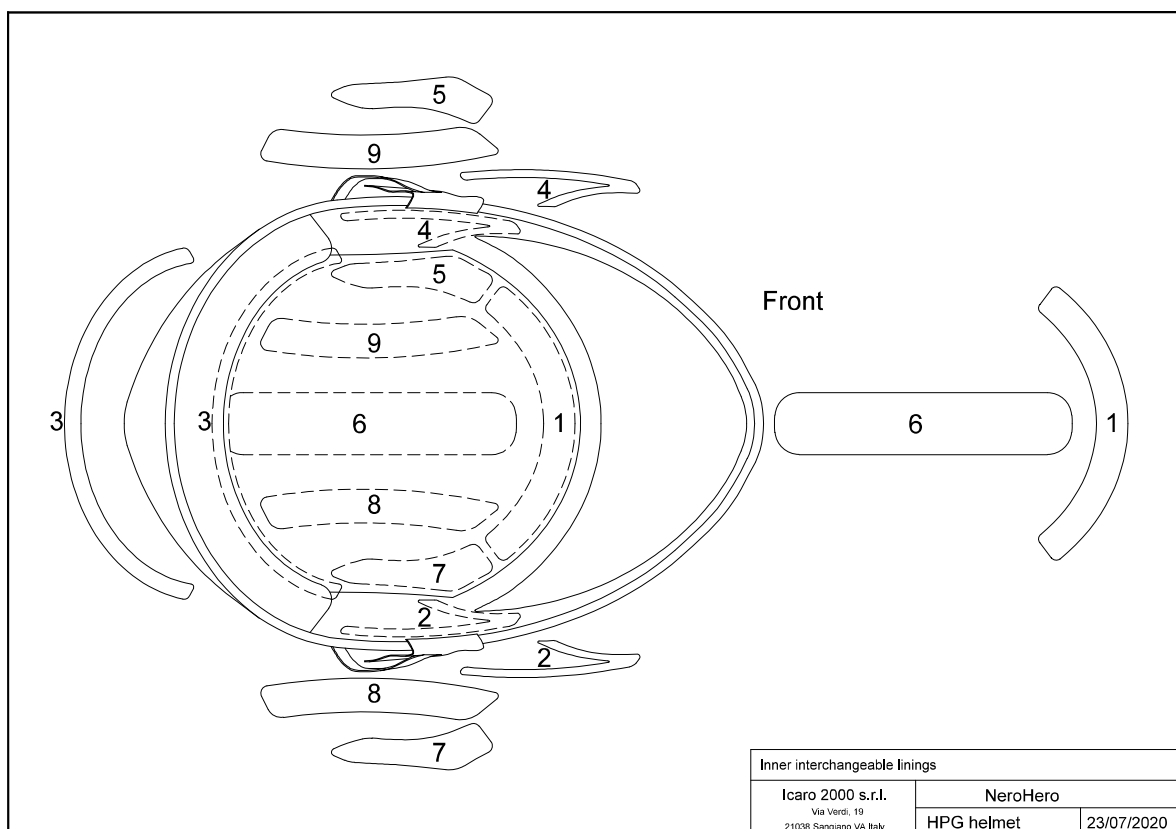
The photo and drawing below show how to ensure that each padding piece is placed in the correct position inside the helmet.



Padding piece n° 6, center-top, size L



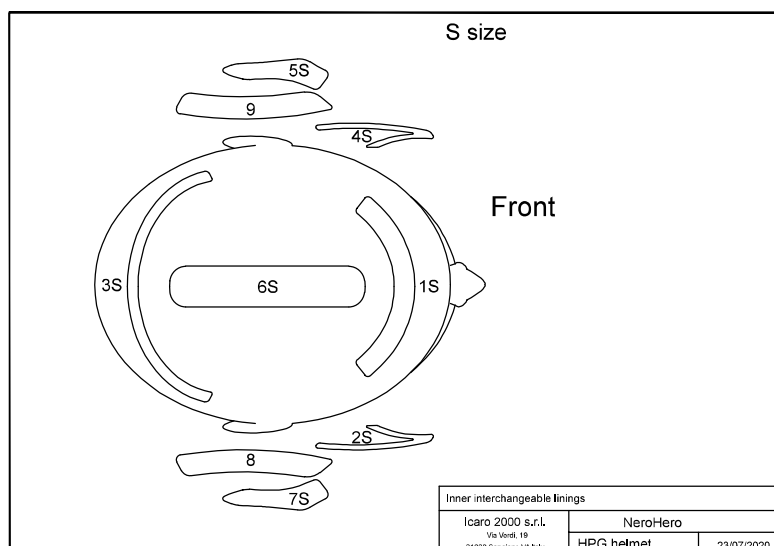
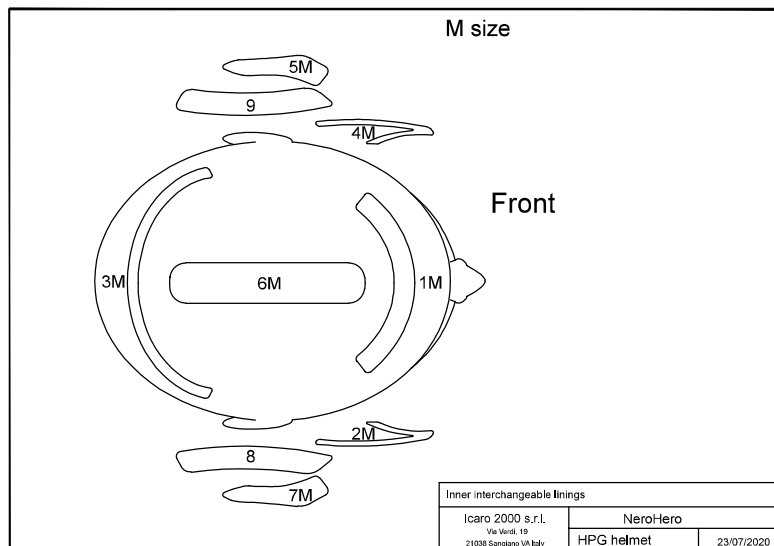
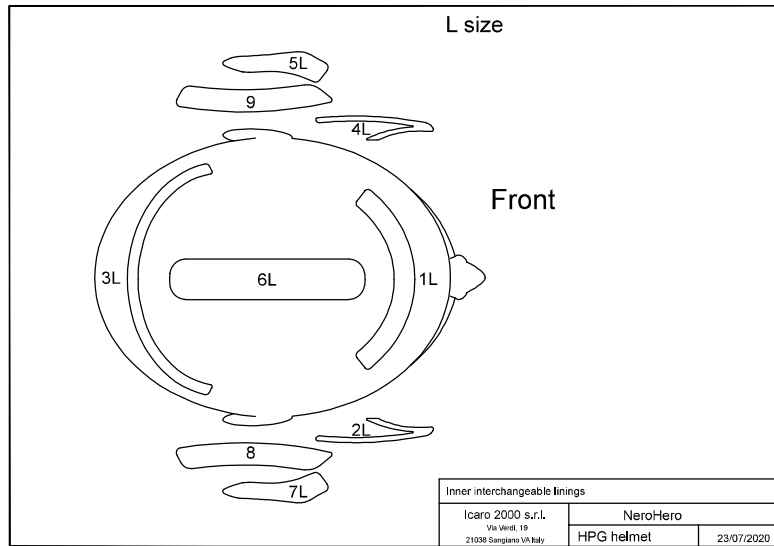
Padding piece n° 7, lateral, size L



Padding pieces from 1 to 9

Perform an accurate size adjustment on ground, before to try your new helmet in flight.

Follow some examples, to highlight the possibility of different elements combination, to realize the most comfortable fitting of the helmet.



Example for
Long and Narrow Head
Testa lunga e stretta

Size of element 6, at user preference

Front

Inner interchangeable linings		
Icaro 2000 s.r.l. Via Verdi, 19 21038 Sangiano VA Italy	NeroHero	
	HPG helmet	23/07/2020

Example for
Short and Large Head
Testa corta e larga

Size of element 6, at user preference

Front

Inner interchangeable linings		
Icaro 2000 s.r.l. Via Verdi, 19 21038 Sangiano VA Italy	NeroHero	
	HPG helmet	23/07/2020